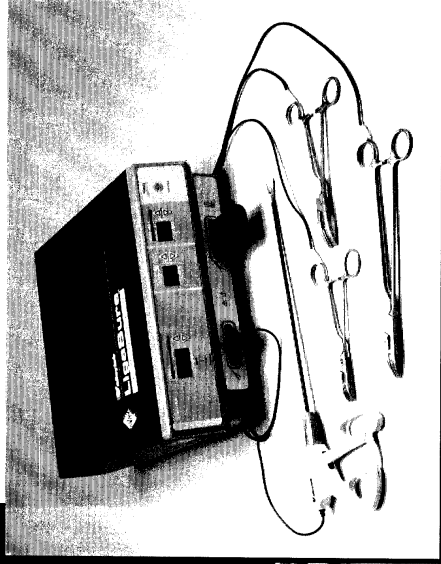




Valleylab[®]

SERVICE MANUAL

LigaSure[™]
Vessel Sealing System
Supplement



The LigaSure Vessel Sealing System Service Manual consists of two parts—the text (part 1 of 2) and a Supplement (part 2 of 2), which contains system schematics.

Valleylab Part Number: 945 103 085 (2 of 2)

Contents

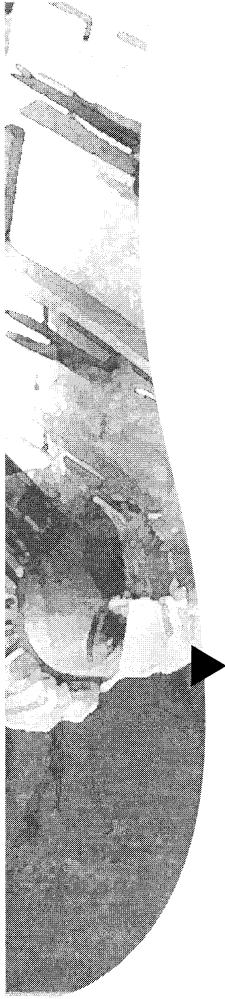
- Schematic 1. Display board, sheet 1 of 1 **S-1**
- Schematic 2. RF board, sheet 1 of 3 **S-2**
- Schematic 3. RF board, Sheet 2 of 3 **S-3**
- Schematic 4. RF board, sheet 3 of 3 **S-4**
- Schematic 5. Footswitch board, sheet 1 of 1 **S-5**
- Schematic 6. High voltage power supply board, sheet 1 of 1 **S-6**
- Schematic 7. PCB controller, sheet 1 of 3 **S-7**
- Schematic 8. PCB controller, sheet 2 of 3 **S-8**
- Schematic 9. PCB controller, sheet 3 of 3 **S-9**
- Schematic 10. Smart connector, sheet 1 of 1 **S-10**



Valleylab
a division of Tyco Healthcare Group LP
5920 Longbow Drive
Boulder, CO 80301-3299

© 2001 Valleylab. All rights reserved.
Printed in USA.



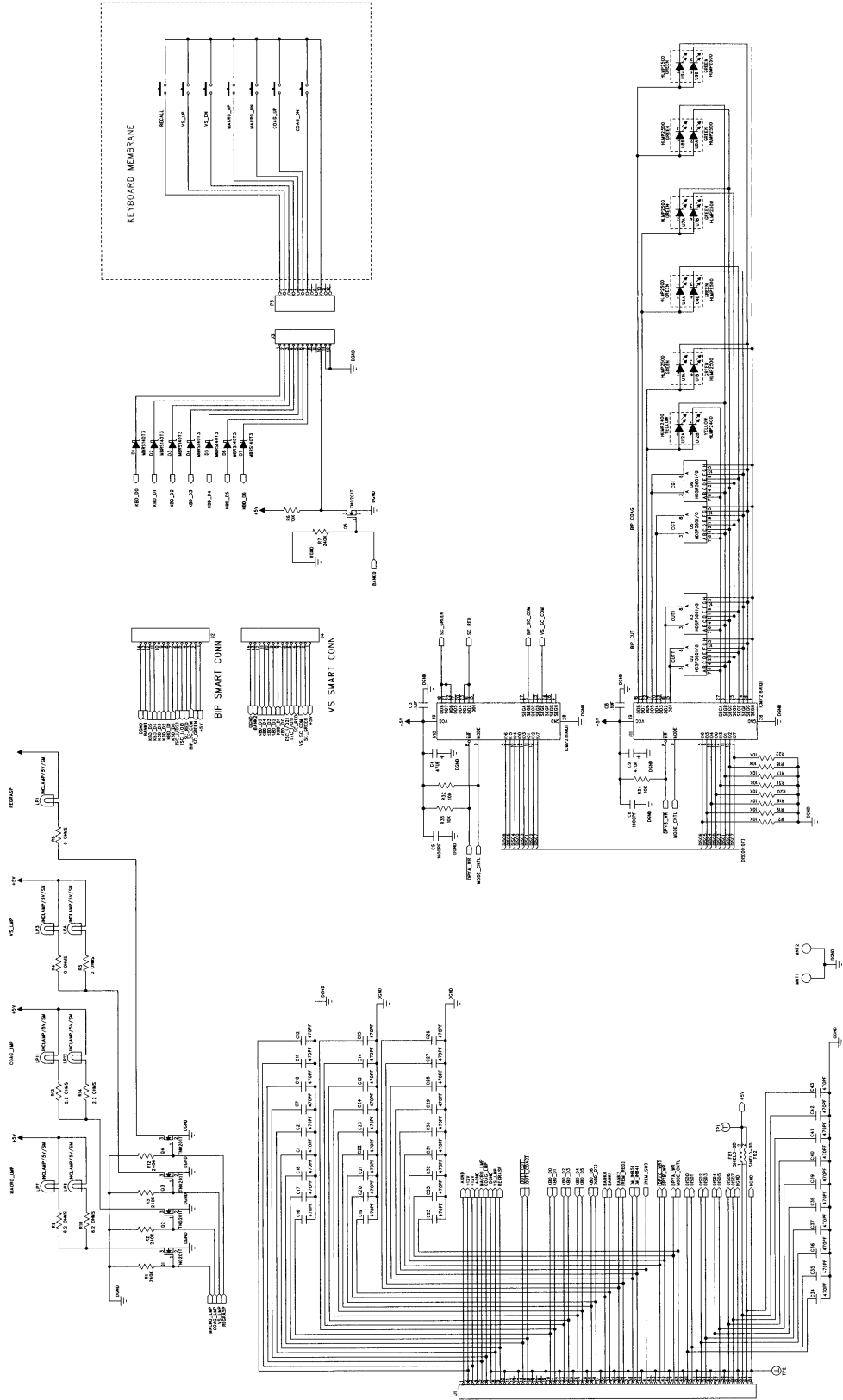


Board Drawings and Schematics

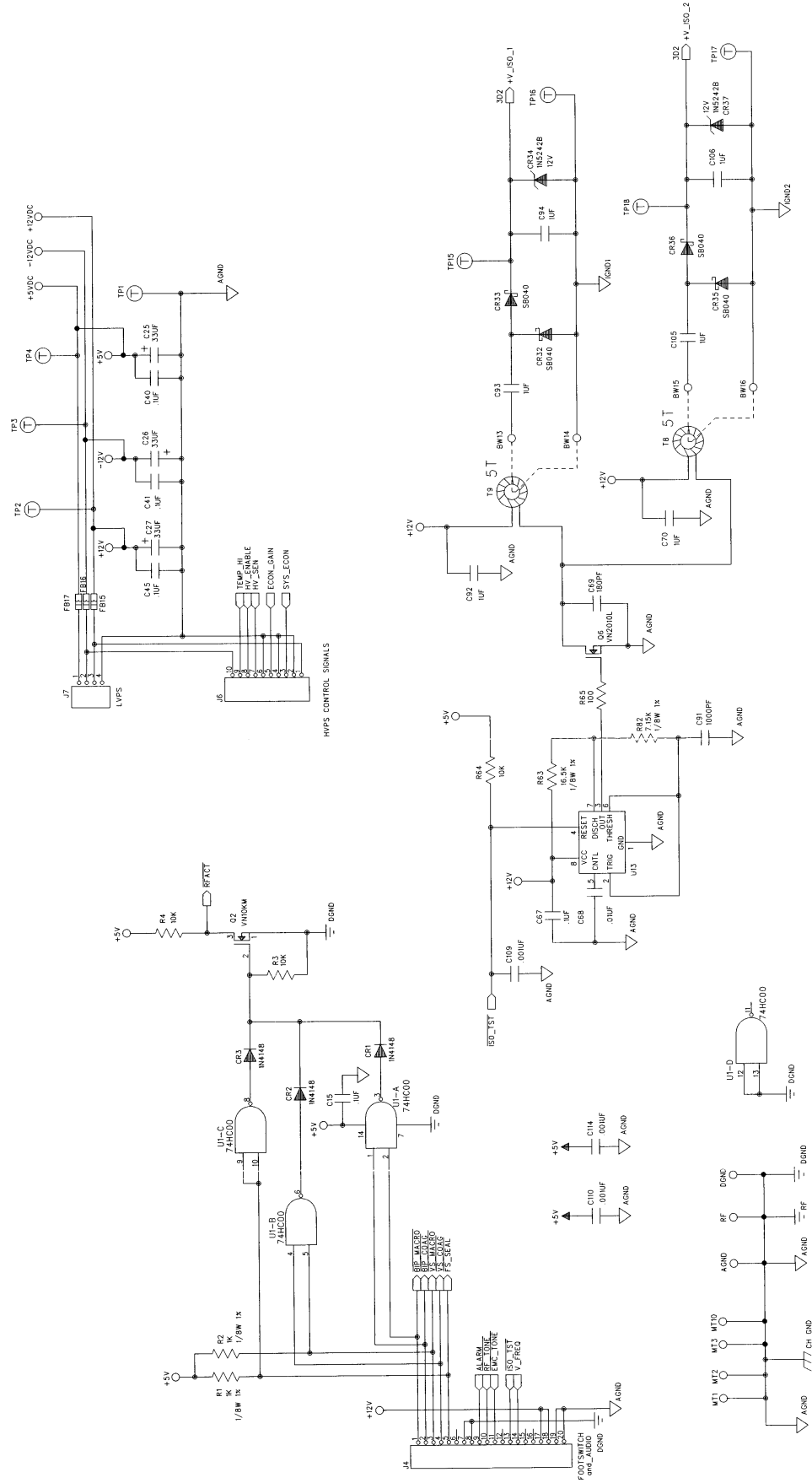
This supplement contains the assembly drawings and schematics for the following printed circuit boards:

- Display board
- RF board
- Footswitch board
- High Voltage Power Supply board.
- PCB Controller board
- Smart Connector

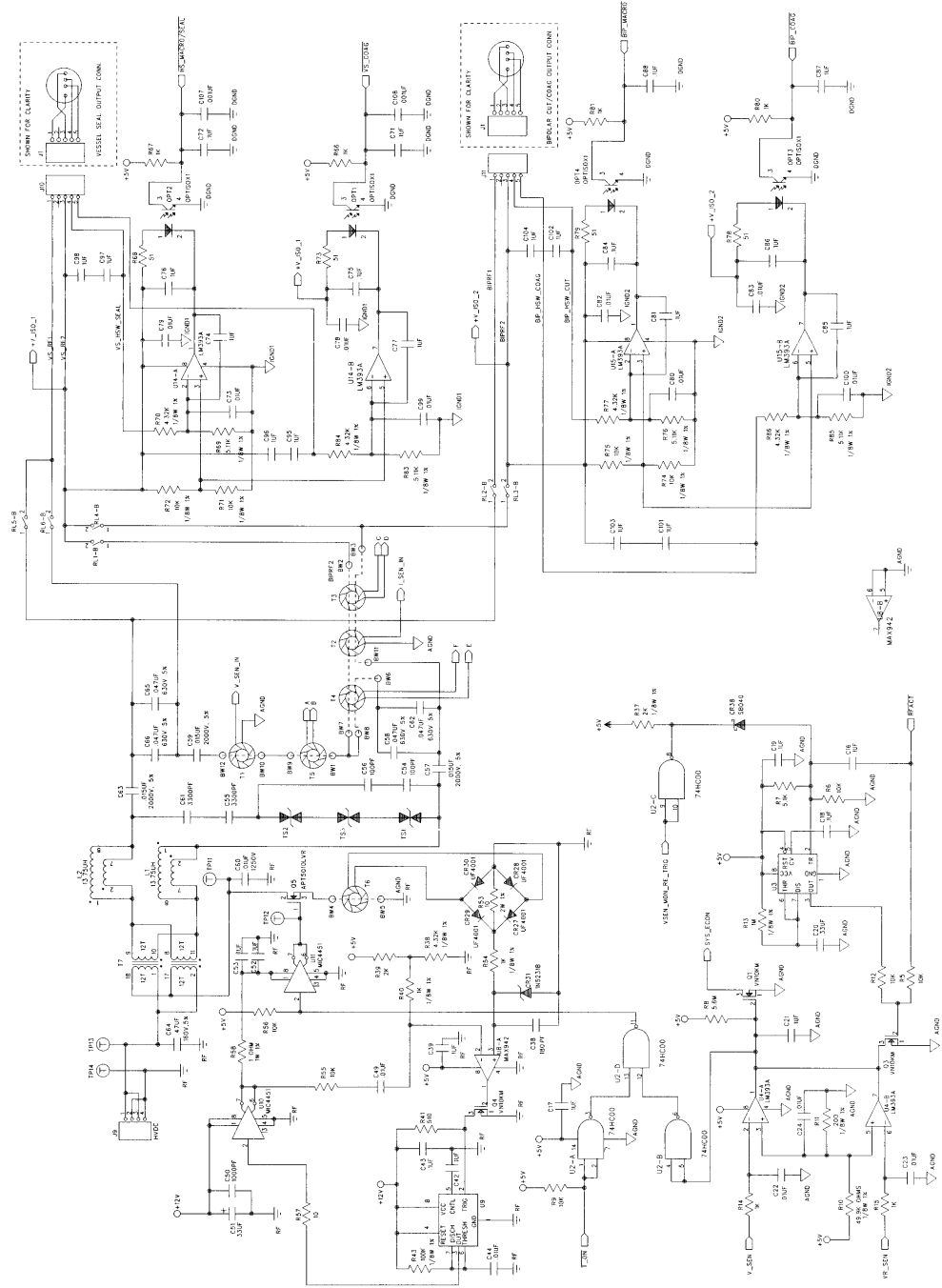
Notes



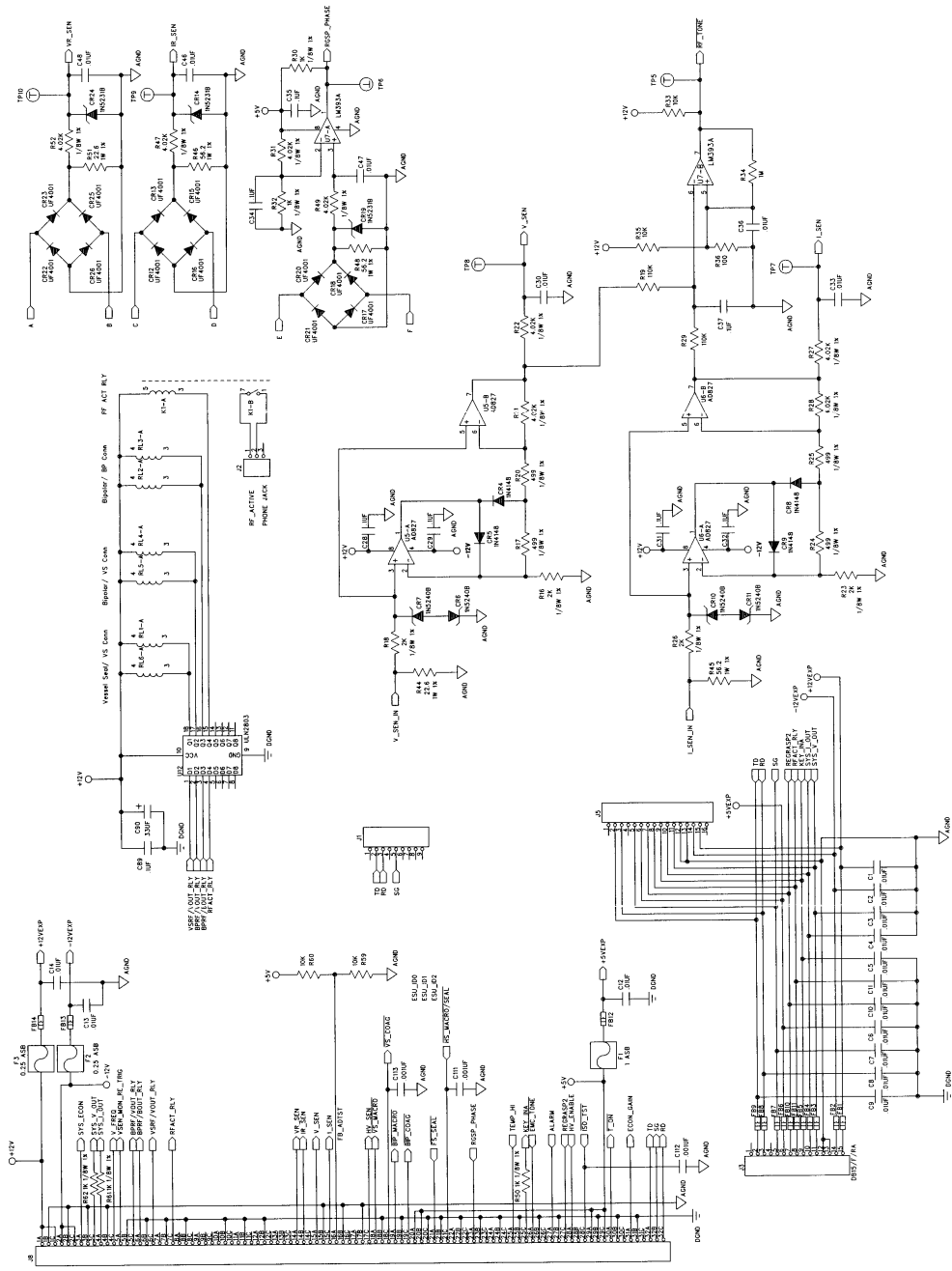
Schematic 1. Display board. Sheet 1 of 1



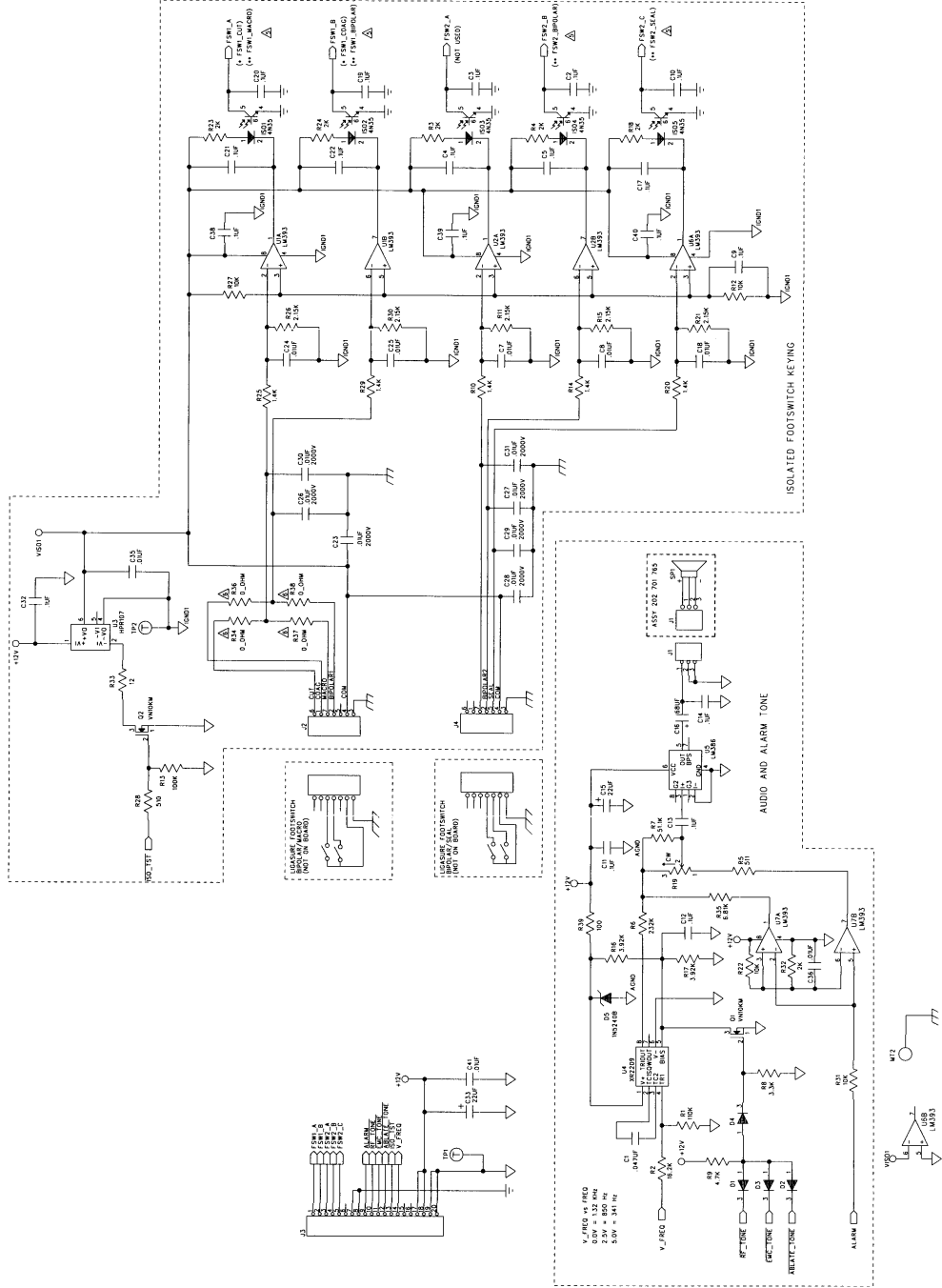
Schematic 2. RF board, sheet 1 of 3



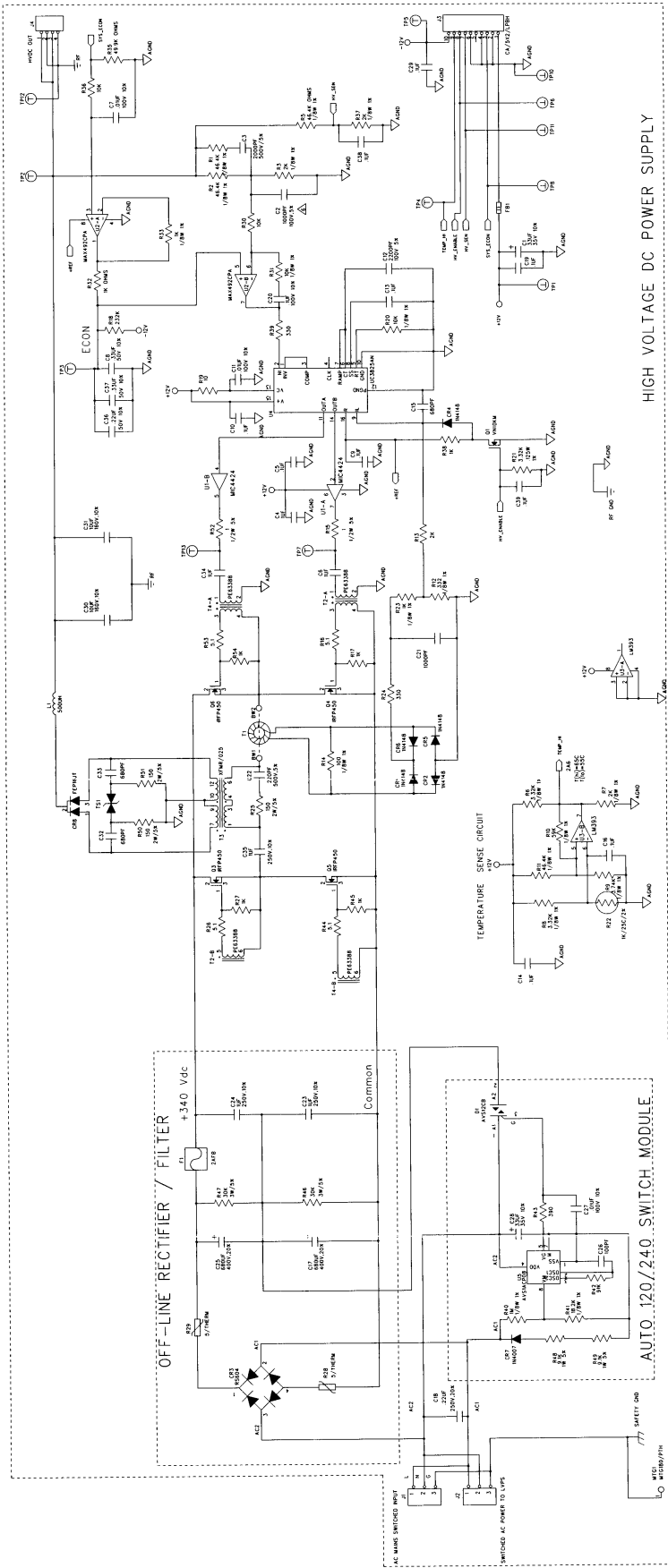
Schematic 3. RF board, sheet 2 of 3



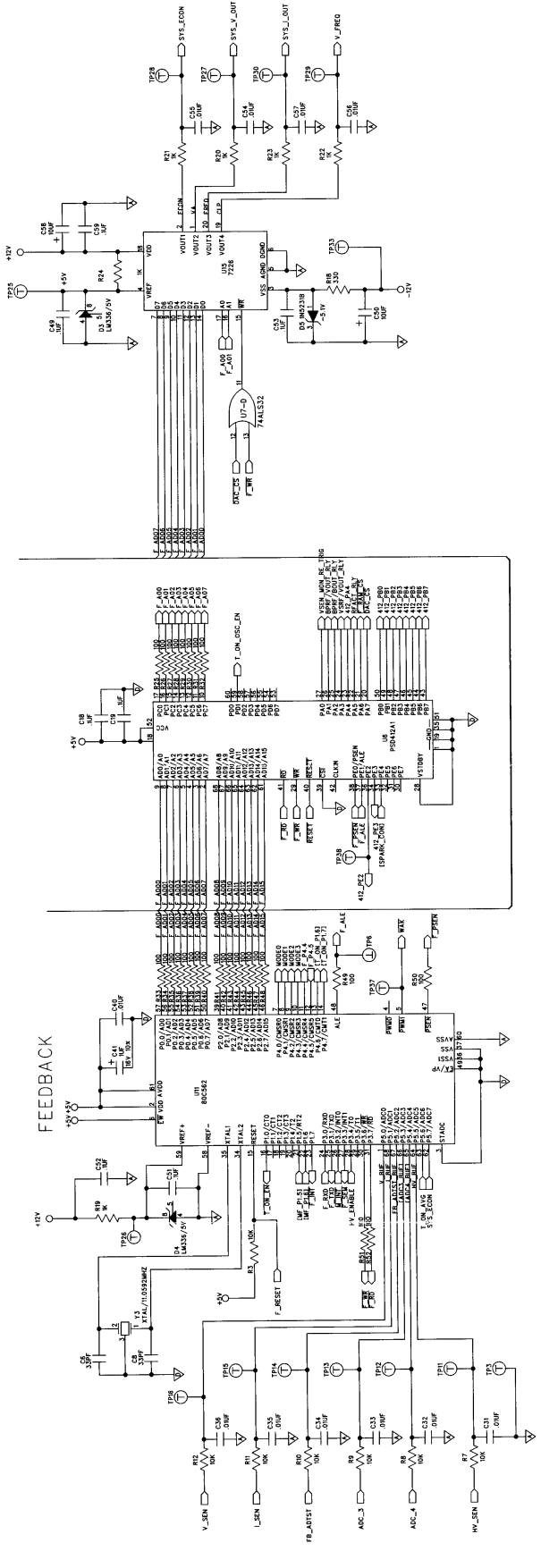
Schematic 4. RF board, sheet 3 of 3



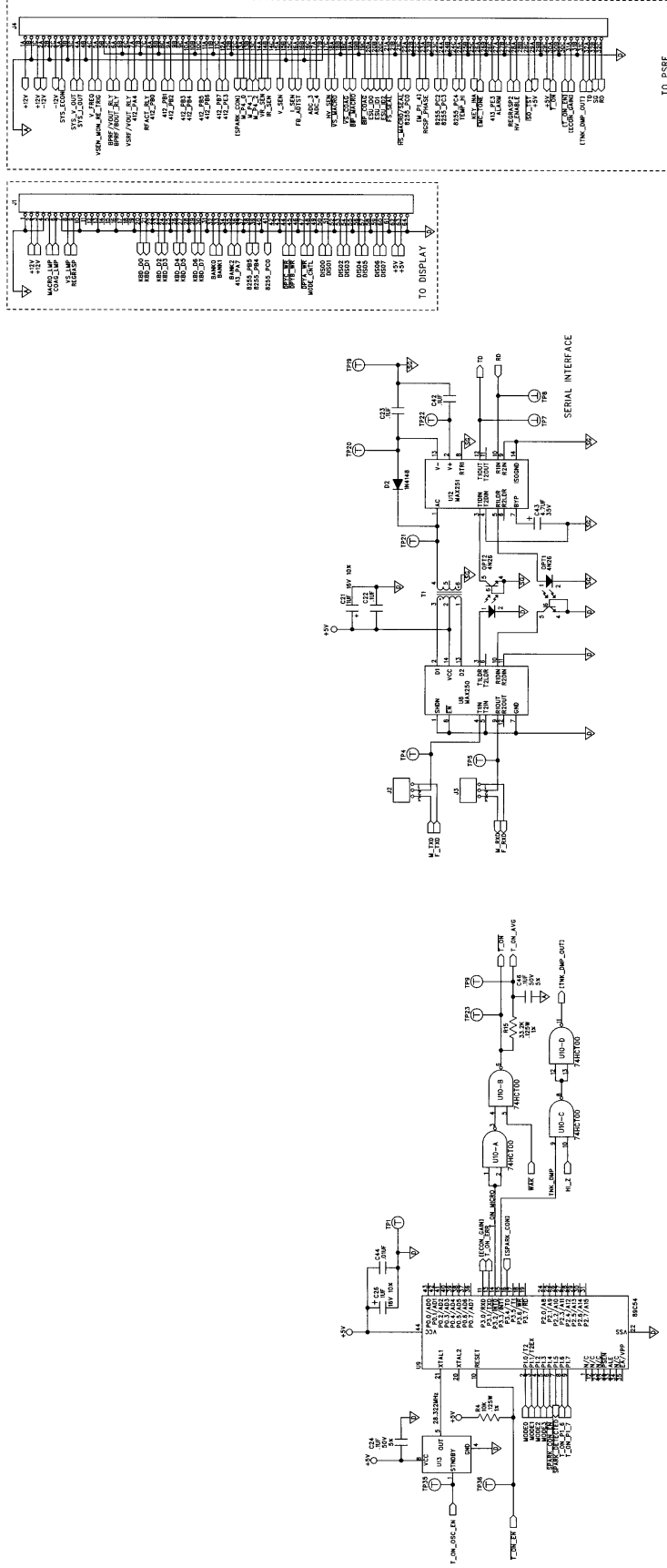
Schematic 5. Footswitch board, sheet 1 of 1



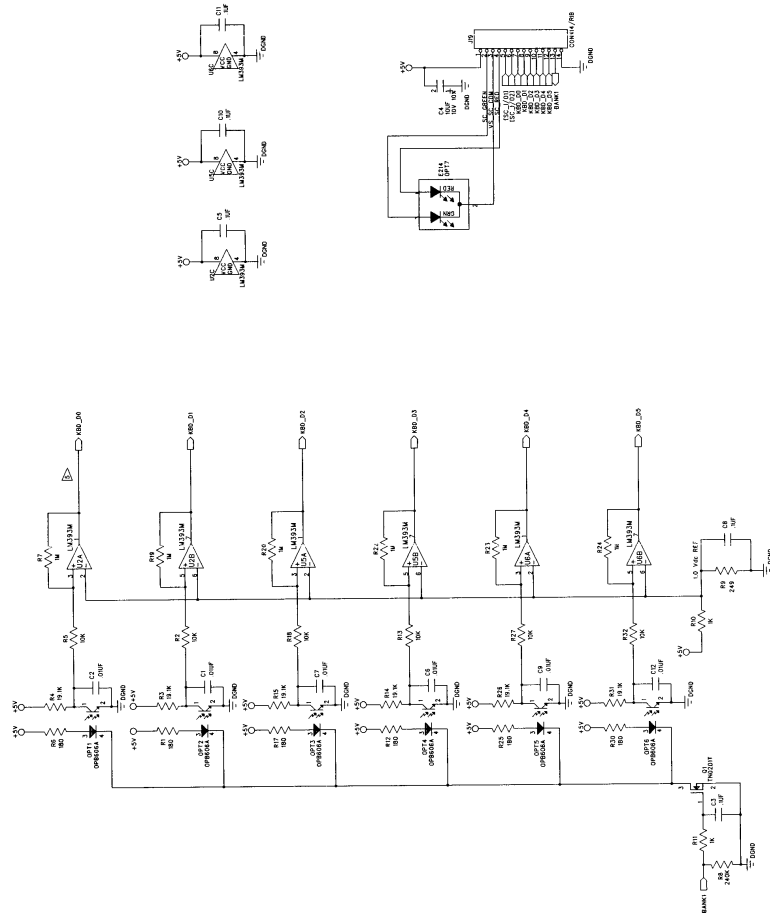
Schematic 6. High voltage power supply board, sheet 1 of 1



Schematic 8. PCB controller, sheet 2 of 3



Schematic 9. PCB controller, sheet 3 of 3



Schematic 10. Smart connector, sheet 1 of 1